

inspired by
technology



The New 50 bar (735 psig) Filter Series (G/50-Series)

Our proven and reliable Microfilter-technology now available for a new pressure range.

ZANDER informs

New production processes and applications in industry demand purified compressed air at 50 bar (735 psig) for the trouble free running of plant. This is especially the case in PET plastic bottle production.

The extension of the pressure rating of ZANDER Microfilter range to 50 bar (735 psig) now meets the demand for top quality compressed air in critical applications. New procedures in the manufacturing of filter housings enable the additional step to higher pressure ratings. ZANDER now offers its proven range of Microfilter high efficiency filters **up to a pressure rating of 50 bar (735 psig).**

The standard product is available for flows from 75 m³/h to 2600 m³/h with connection sizes from G1/4 to G2. Higher flows and larger connection sizes are available on request.

Fully alu-chromed aluminium filter housings ensure a corrosion free product with a smooth inner surface throughout its working life.

The **2 pack Powder Coating** protects the housing against knocks and friction and ensures a rust and corrosion free life.

The **Tie Rod Technology** means that the safest method is used to fix the filter element to the housing and ensures an excellent seal between the clean and dirty sides. **ZANDER filters, using the Tie Rod technology, allow the safest working conditions from the smallest to largest filter.**

ZANDER filter elements using **ADVANCED Technology** offers the highest separation performance and flow rates with the lowest pressure differentials. This means high efficiency coupled with huge energy savings.

10 year guarantee on all ZANDER filter housings. Your assurance of a trouble free filtration system.

Useful accessories such as differential pressure monitors and alarms, and electronic condensate drains are available.



ZANDER Type	Nominal flow (m ³ /h)*	Connection (DN)	Dimensions [mm]				Max. pressure (bar)	Weight [kg]	Filter element (No. and type)
			A	B	C	D			
G2/50	75	G 1/4	61	200	14	60	50	0.8	1/1030
G3/50	125	G 1/4	87	245	21	75	50	1.2	1/1050
G5/50	175	G 3/8	87	245	21	90	50	1.2	1/1070
G7/50	250	G 1/2	87	315	21	160	50	1.4	1/1140
G9/50	450	G 3/4	130	350	43	135	50	4.1	1/2010
G11/50	750	G 1	130	450	43	235	50	4.9	1/2020
G12/50	1,175	G 1/2	130	525	43	335	50	5.0	1/2030
G13/50	1,750	G 1/2	130	755	43	525	50	6.6	1/2050
G14/50	2,600	G 2	164	735	48	520	50	8.9	1/3050

* calculated at 1 bar a and 20°C at 50 bar working pressure

Available filter grades (efficiency, residual oil content)

Filter elements

Series V - 99.99% (3μ)

Series ZP - 99.9999% (1μ) - ≤ 0.5 mg/m³ (1 bar (abs.), 20°C)

Series XP - 99.99999% (0,01μ) - ≤ 0.01 mg/m³ (1 bar (abs.), 20°C)

Series XP4 - ≥ 99.99999% (0,01μ) - ≤ 0.001 mg/m³ (1 bar (abs.), 20°C)

Series A - ≤ 0.003 mg/m³ (1 bar (abs.), 20°C) at an inlet concentration of ≤ 0.01 mg/m³

Accessories:

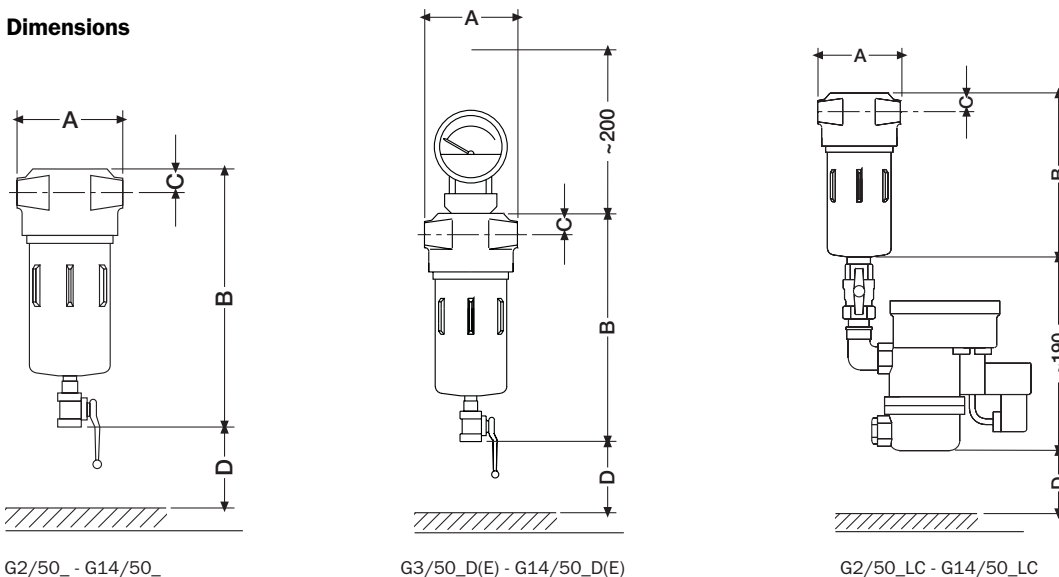
Differential pressure gauge with or without potential free contact (HDZ(E)80)

Automatic condensate drain (ZA3D)

Electronic condensate drain (ED2010/50)

Further accessories on request

Dimensions



We are constantly updating our product so we cannot be responsible for manufacturing and dimension changes.



ZANDER Aufbereitungstechnik GmbH

Im Teelbruch 118, D-45219 Essen
Postfach 185524, D-45205 Essen
Telefon (02054) 934 - 0 · Telefax (02054) 934 - 164
Internet: <http://www.zander.de>
A Division of Parker Hannifin Corporation